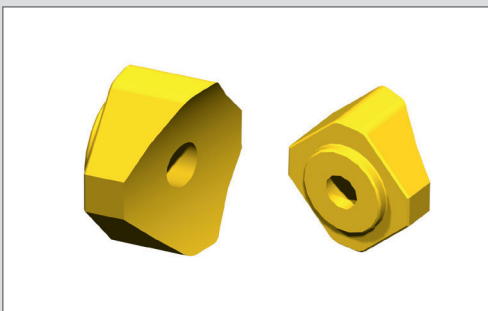


## LR TECHNOLOGY PACKAGE

### Exchangeable knives and knife holders

**Your benefit:** In case of damages, a quick and trouble-free exchange of the knives and knife holders is possible.

**Your gain:** You save money and time.

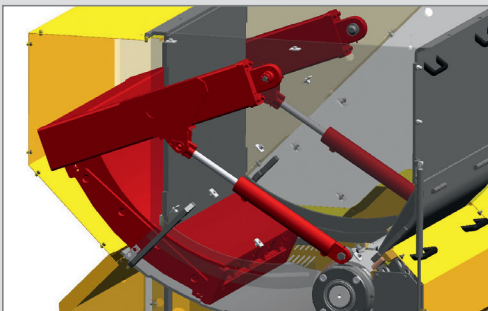


### Innovative knife geometry and knife attachment

**Your benefit:** Our innovative knife geometry enables a „pull-through cut“ and therefore a more efficient shredding process – even for wet wood.

Positive fit of the knives and knife holders

**Your gain:** You save energy and thus money.

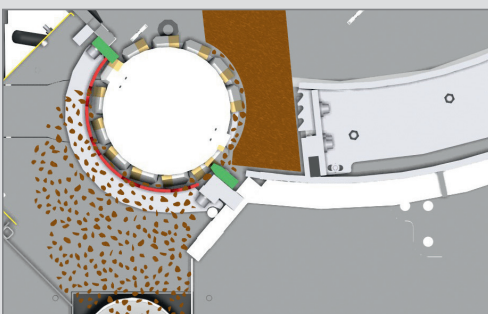


### Powerful swing pusher

(only LR700, LR1000/1400)

**Your benefit:** By pulling the pusher on both sides with the help of two hydraulic cylinders, a jamming of the pusher is prevented. A pusher guide is not required (no wear parts).

**Your gain:** You can increase the uptime and therefore the productivity of your shredder.



### Tried and tested cutting system

(only LR700, LR1000/1400)

**Your benefit:** Due to the use of a main and auxiliary cutter bar, the pre-shredded material is stripped off and a rotating motion of the material around the rotor is prevented.

**Your gain:** You achieve a higher throughput, produce a homogeneous granulate and thereby enhance the productivity of your shredder.

**3-YEARS**  
no-worries  
warranty!\*