

UNTHA

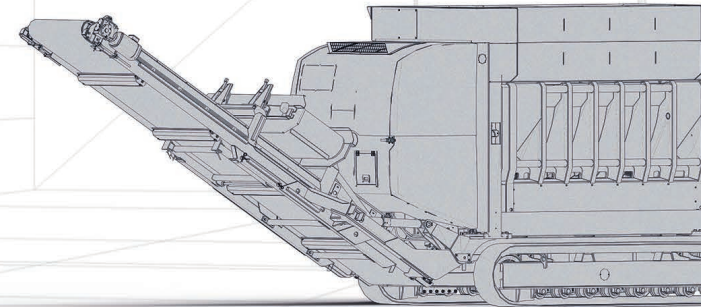
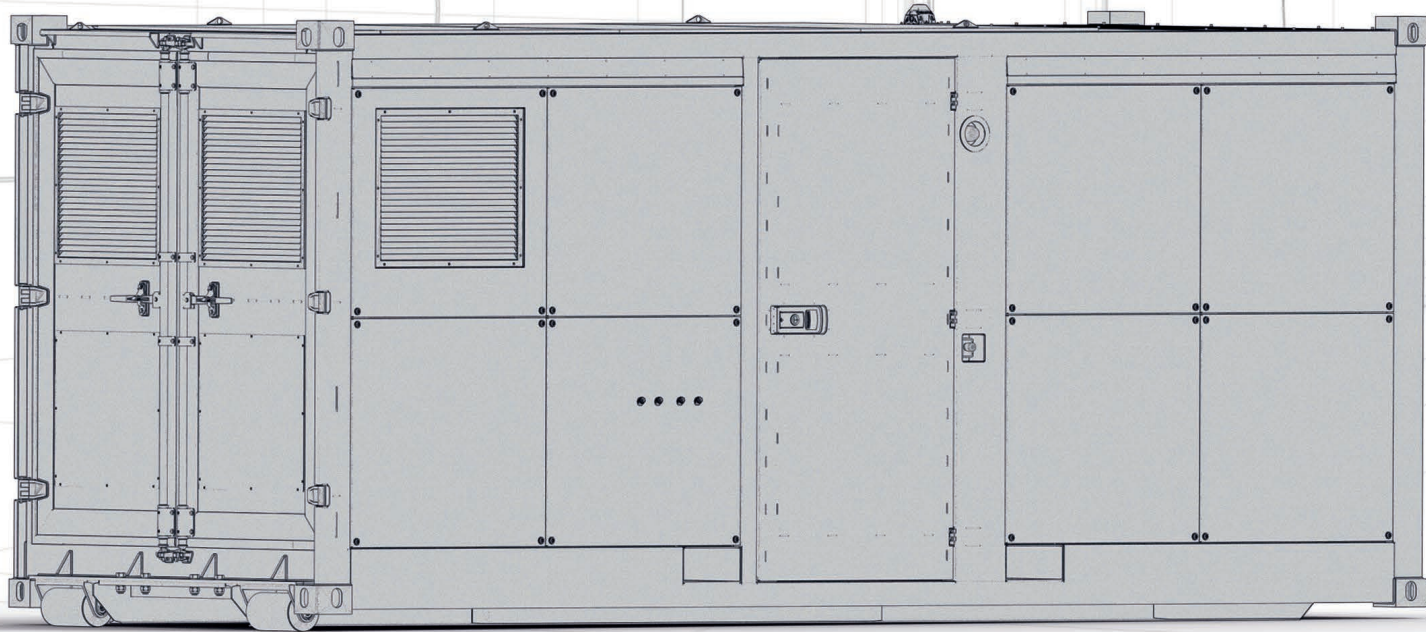
The reliable brand!



POWER CORE

Boost your performance

Boost your performance





UNTHA POWER CORE

Boost your performance

The UNTHA Power Core is a powerful generator that enables UNTHA shredders to operate independently. It serves as a reliable source of energy at locations without an existing power supply – ideal for temporary applications such as test operations, rental solutions, or at varying locations.

Specifically designed for operating UNTHA XR and ZR models, the generator is precisely tailored to meet the requirements of these machines. During the shredding

process, the Power Core automatically adjusts its output — ensuring maximum efficiency and minimal operating costs.

The Power Core stands out with its compact design and multiple transport options, making it highly flexible in use. Thanks to Plug & Play connections, it's ready to operate within a few minutes.

Moreover, the Power Core is fully integrated into the

MyUNTHA customer portal, providing users with access to a wide range of smart features, including the spare parts catalog and the maintenance manager. The integrated GENIUS assistance system processes collected machine data and proactively notifies users when, for example, maintenance tasks are required. In addition, MyUNTHA and the UNTHA service team provide comprehensive support for service and maintenance inquiries ensuring the timely supply of appropriate spare parts.

Your benefits at a glance

Compatible

The Power Core has been perfectly matched to the XR and ZR series shredders and is the perfect addition for autarkic operation.

Dynamic

The Power Core's performance automatically adapts to the shredding process, depending on the material, quantity, and composition, thus ensuring maximum productivity for every application.

Fuel-efficient

The highly efficient and dynamic drive system enables fuel savings of approximately 20–25 % compared to other generators.

Compact & silent

The generator set is installed in a noise-insulated, compact, and lockable 20-foot container. This minimizes noise emissions and protects the Power Core from the environment.



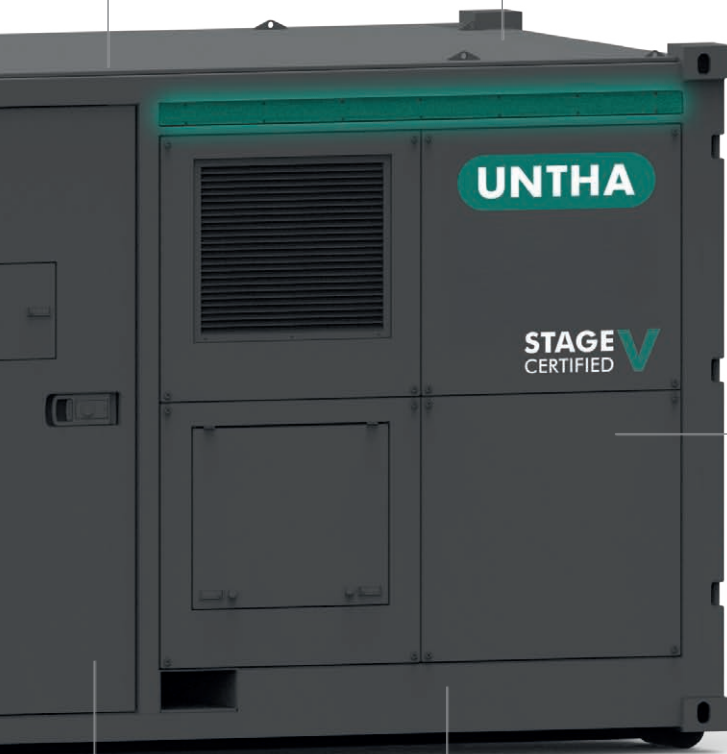
Sample image Power Core

Durable

The generator operates continuously within its rated range, eliminating the need to hire additional load resistors and maximizing the service life of the entire unit.

Plug & Play

Connected to the shredder and ready for use in just a few steps with quick coupling connectors.



Emissions standards

Complies with current EPA Final Tier 4 / EU Stage V emissions standards – mandatory in the European Union.

Digitalization

Full integration of the Power Core into the MyUNTHA customer portal, including incorporation into GENIUS, spare parts, catalogue and maintenance manager apps.

Insulation monitoring

The integrated insulation monitoring ensures maximum safety and flexibility – without requiring additional installations – and provides reliable monitoring of the system.

Optional additional equipment

Hook frame

» The hook frame enables easy and flexible handling of the Power Core directly at the site of use with a hook lift truck. An anti-theft device has also been integrated.

External 530 gallon additional tank

» Increased operational reliability thanks to additional fuel reserve: With the optionally available 530 gallon tank, the operating time can be extended to up to 100 hours. The tank can be retrofitted at any time and integrated into existing systems.

Accessories

» An electric cable dispenser is available as an option for space-saving and secure storage of the supply cables in the container. This makes handling all the necessary cables simple.



Service and maintenance

The UNTHA service team is the primary point of contact for all service and maintenance queries, ensuring a smooth processing experience. Regular service visits are carried out directly by John Deere. This ensures that the functionality of the Power Core and the warranty claim remain fully valid.



All dimensions in feet

TECHNICAL DATA		
Diesel engine		John Deere 6136 CG550
Power	kVA / kW	585 / 505
Operating mode	V	400 and 480
Tank	gal	200 inkl., 530 optional
Fuel		Diesel & HVO-fuel
Consumption*	gal/h	8-13

* Actual consumption depends on the specific application

UNTHA shredding technology GmbH

Kellau 141
5431 Kuchl | Österreich
Tel.: +43 6244 7016
info@untha.com
www.untha.com

UNTHA Deutschland GmbH

Keßlerstraße 2
97737 | Gemünden am Main | Deutschland
Tel.: +49 9351 60302 00
info@untha.de
www.untha.de

UNTHA UK Ltd.

Excel House, Becklands Close
Boroughbridge
YO51 9NR | United Kingdom
Tel.: +44 330 056 4455
sales@untha.co.uk
www.untha.co.uk

UNTHA America, Inc.

1 Lafayette Road, Building 4
Hampton, NH 03842 | USA
Tel.: +1 603 601 2304
info@untha-america.com
www.untha-america.com

UNTHA Polska Sp. z o.o.

Olecka 23/221
04-980 Warszawa | Polska
Tel.: +48 12 6421896
info@untha.pl
www.untha.pl

UNTHA Ibérica S.A.

Lugar Queirúa, s/n 15680 Ordes
La Coruña | España
Tel.: +34 981 69 10 54
info@untha-iberica.com
www.untha.es

UNTHA Türkiye Makina Sanayi ve Ticaret Limited Şirketi

Barbaros Mah. Kardelen Sok.
Palladium Tower No:2/114 K:32
34746 Ataşehir | İstanbul | Türkiye
Tel.: +90 216 687 2991
info.tuerkiye@untha.com
www.untha.com/turkiye

5 reasons to choose UNTHA



Customised, long-lasting shredding solutions



Premium products developed and produced in Austria



All-encompassing expertise, from development to production, under one roof



Reliable customer service with the best technical know-how



More than 10,000 satisfied reference customers worldwide

We deliver what we promise

Since our founding in 1970, we've followed our promise of being "the reliable brand", which applies to every product and service that UNTHA delivers.

We work hard to consistently outperform our competitors, and provide customers with the confidence that – in choosing UNTHA – they have made the best decision for their business.

All revisions reserved. Subject to setting and printing errors.
All illustrations are representative and may deviate from the actual product.
© 09/25 UNTHA shredding technology