

# UNTHA

shredding technology

The reliable brand!

**NEW  
PRODUCT**

**QR CLASS**  
1-shaft shredder for  
wood recycling



**3-YEARS**  
no-worries  
warranty!\*

**QR1700 | QR2100**



## TROUBLE-FREE SHREDDING OF RECYCLABLE MATERIALS

The QR class is a new generation of extremely reliable and versatile high-performance single-shaft shredders. These products are all about the trouble-free shredding of recyclable materials. With the QR class, operators can be sure of avoiding unscheduled downtime as these machines do what they were built for - the reliable shredding of material.

The QR class was developed and realised over a two-year period, in cooperation with users from industry and commerce. This cooperation has resulted in a new series of single-shaft shredders that leave nothing to be desired. In addition to the robust, universal cutting unit, indestructible body and reliable, completely maintenance-free pusher technology, the technical highlights of this product also include a resilient drive system that comes with a safety coupling. In contrast to standard units, the QR class does not require a shaft stub, as the gears are integrated in the rotor. This results in a significant reduction of repair efforts. Yet another outstanding technological feature is the multi-functional flap that allows quick and easy access to the cutting chamber for the efficient emptying of the hopper and removal of foreign objects.

Furthermore, the pusher may be cleaned in an ergonomic and safe position. The simple operation is based on a high-resolution touch-screen display, intelligent pusher controls, long maintenance intervals and the quick and safe access to all machine components. All these factors combined make operation and maintenance of these units as easy as never before!

## UNTHA RELIABILITY BONUS

UNTHA shredders are designed, produced and mounted to meet even the highest quality requirements and significantly set themselves apart from competitors' products by their long service life and reliability. This quality pays off. We give a 3-years no-worries warranty\* for all UNTHA wood shredders!

\*for 2,000 h, whichever value occurs first



## **QR1700 / QR2100**

### **VERY POWERFUL FOR HIGH THROUGHPUTS**

The QR1700 and QR2100 are heavy-duty shredders and were developed for pallet producers and the wood working and processing industries with a throughput of up to 30 loose cubic meters. Different screen diameters between 12 and 100 mm produce homogeneous and easily conveyable chips for thermal utilisation (wood chip combustion) or briquetting.

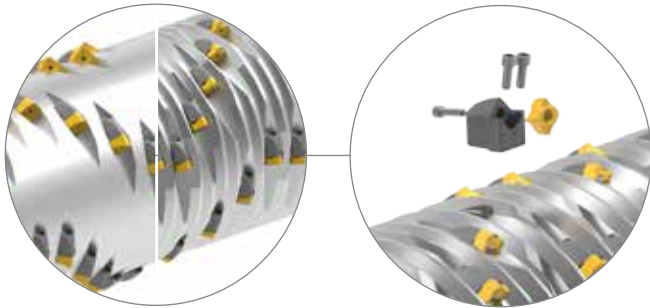
### **EVEN BETTER SAFETY**

The QR class is equipped with a maintenance-free safety coupling which protects the cutting system and drive train from greater damages by un-shreddable items.

### **APPLICATIONS**

- Scrap wood
- Pallets
- Waste wood
- etc.

# QUALITY FEATURES



## Effective cutting system

The **special rotors** (smooth or profiled) have a **large diameter** and are equipped with **bolted cutter holders**.

The **adjustable main and secondary cutting bar** as well as the cutters may be reversed up to 4 times.

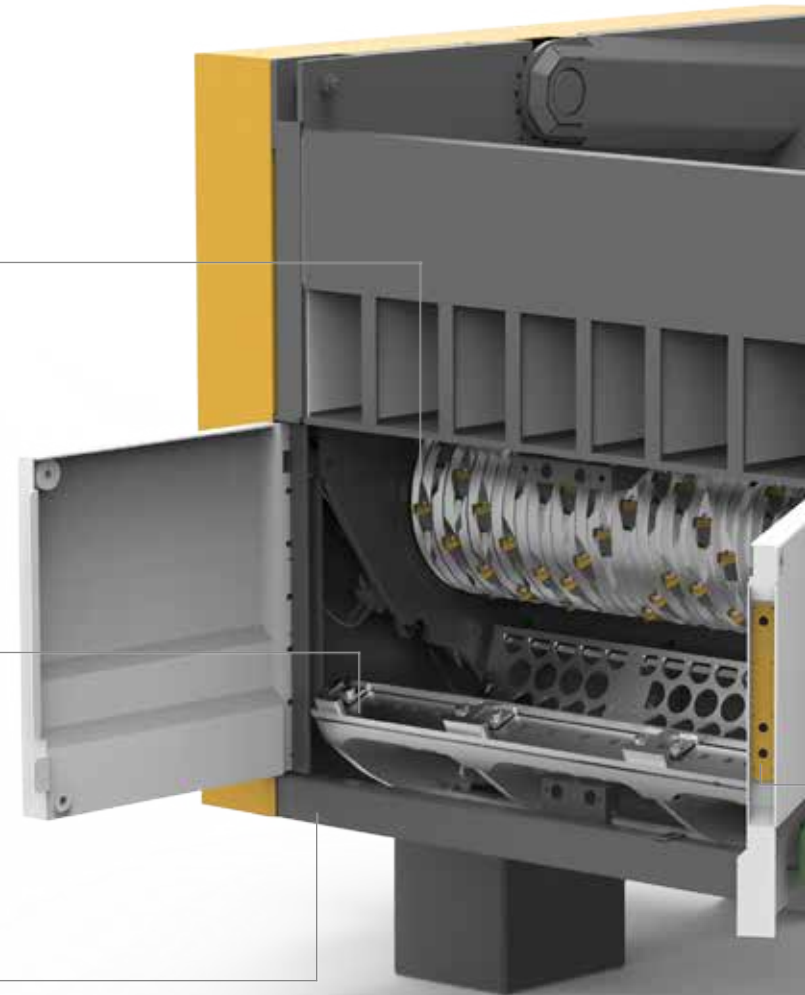


## Flexible perforated screen unit

The **hydraulically lowerable screen corpus** ensures an ergonomic and time-efficient cleaning/replacement of the perforated screen. The **convenient screen pan** system allows an easy and quick replace of the screen segments. In addition the screen troughs are two-way exchangeable.

## Robust machine body

The **compact construction** facilitates a space-saving set-up and smooth integration in the overall plant. A **low filling level** ensures maximum flexibility when it comes to loading. The **large filling volume** increases the process safety and reduces the risk of bridge formations.



Symbolic image QR1700: The individual machine types may vary in terms of design and finish.



### Maintenance-free pusher system

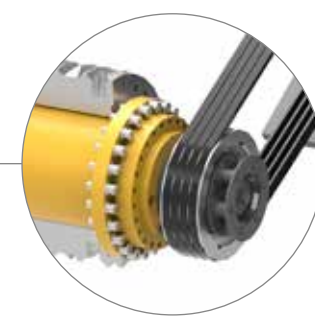
The **hermetic, internal pusher system** requires no maintenance and prevents material leakage.

The **profiled pusher floor** prevents the pusher getting jammed and facilitates the processing of thin-walled materials.

### Fail-safe power train

The **reliable safety coupling** protects the cutting system and the power train. Due to the integrated **planetary gear**, there is no shaft stub required.

The **service window** enables a direct and speedy access to the safety coupling.



### Exceptionally user- and maintenance-friendly

The **hydraulic multi-functional flap** ensures an easy and fast access to the cutting chamber (more details on page 6)

An **integrated operating element** for the multi-functional flap and the screen corpus provides a good view of the hazard area and facilitates operation.

All components may be accessed quickly, safely and ergonomically and have long maintenance intervals.

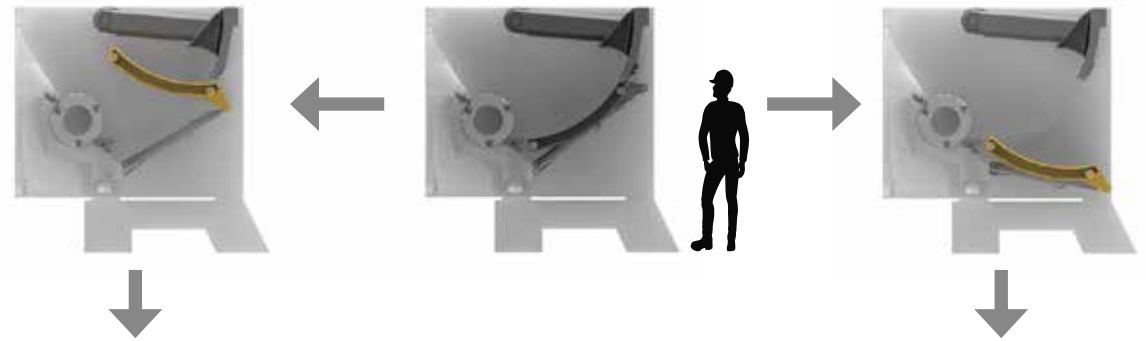


## YOUR CUSTOMISED MACHINE: EXTRAS

- **Flexible controller upgrades:** Facilitates customer-specific control system adaptations and upgrades.
- **Special attachment hoppers:** For optimal adjustment to the input material and feeding method.
- **Automatic central lubrication system:** All important lubrication points are supplied continuously with lubricant and hence are less prone to wear
- **Remote maintenance:** For speedy fault diagnosis and trouble-shooting as well as machine optimisation.
- **Operating status display:** For the speedy, visual display of the machine operating status.
- **UNTHA Carefree Packages (gold, silver, bronze):** Ensure that machines are technically sound and ready for use at all times.
- **UNTHA Lifetime Support:** Guarantees maximum availability throughout the lifetime of the machine.

## HYDRAULIC MULTI-FUNCTIONAL FLAP

The innovative service and maintenance flap is hydraulically operated and offers easy, quick access to the cutting unit.



INSPECTION AND MAINTENANCE POSITION



The **inspection and maintenance position** makes the indexable cutters and cutting bars **easy to replace**, the **removal of foreign objects** and the **process of adjusting the cutting gap** particularly efficient and straightforward.

CLEANING POSITION



The **cleaning position** guarantees a **quick emptying of the hopper** and the **cleaning of the pusher** in an ergonomic, safe position.

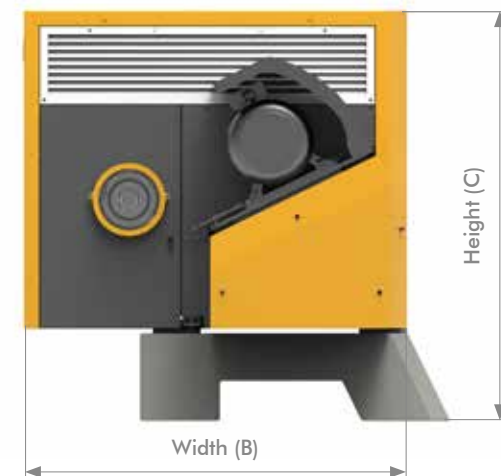
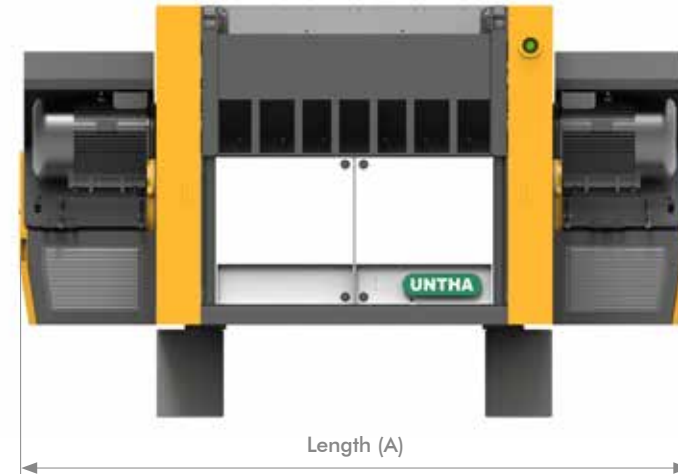
# QR CLASS

## 1-shaft shredding system

TECHNICAL DATA		QR1700	QR2100
Drive power	kW	55/75/90/110*/150*	90/110*/150*/180*
Rotor length	mm	1700	2100
Ø Rotor	mm	560	560
Rotor speed	rpm	97	97
Fill opening	mm	1700 x 2100	2100 x 2100
Hydraulic power	kW	4	4
Ø Screen	mm	12 - 100	12 - 100
Size cutters	mm	40x40/60x60	40x40/60x60
Weight**	kg	12000	13000

DIMENSIONS	A	B	C
QR1700	3340	2410	2600
QR1700 (drive on both sides)	4200	2410	2600
QR2100	3770	2410	2600
QR2100 (drive on both sides)	4620	2410	2600

Dimensions in mm.  
 \*) Two-sided drive  
 \*\*) With the lowest drive power





# UNTHA

shredding technology

The reliable brand!



### UNTHA shredding technology

Kellau 141  
A-5431 Kuchl / Salzburg, Austria  
Tel +43 6244 7016 0  
Fax +43 6244 7016 1  
info@untha.com  
www.untha.com

### Authorised partner of UNTHA

