

# UNTHA

shredding technology

The reliable brand!

# TR

SERIES



TR2000, TR2500, TR3200

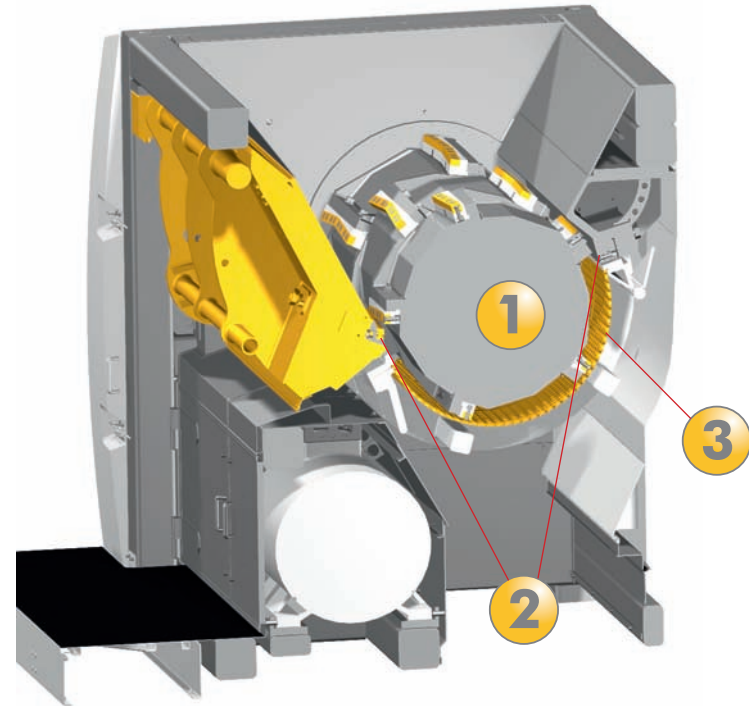
## TR SERIES

The reliable and powerful TR series has been specifically developed for the post-shredding of the fraction of high calorific value and is mainly used in the preparation of secondary fuels.

With its high uptime and enormous throughput, the TR series is among the most profitable post-shredding equipment. Some highlights among the many quality features are the quick-change cutting system, the highly effective protection from foreign matter and the low operating costs.

## FUNCTION AND DESIGN

Thanks to the huge diameter of the rotor and the specific geometry of the shredder casing, the rotor (1) is able to pull in the material independently and the material is pressed against the cutting bars (2) and shredded. The perforated screen (3) determines the size of the final fragments.



## A SELECTION OF IMPLEMENTED APPLICATIONS

- Treated household waste
- Treated industrial and commercial waste
- Bales of pre-shredded plastics
- Pre-shredded plastic film
- Plastic waste from vehicle dismantling
- Pre-shredded waste from the plastics industry
- Packaging materials
- etc.

## QUALITY FEATURES

### High availability

- Uptime increased by up to 10% thanks to quick-change cutting system (A) (5,000 t/ year in two-shift operation)
- Effective protection from foreign matter: the gate (B) opens automatically and the drive train is secured by means of a shear-pin coupling.
- Simple and therefore highly failsafe drive concept (C) with single-step timing belt drive without gear

### Low operating costs

- No ram required
- Energy-efficient drive system (timing belt drive without gear)
- Long service life thanks to 4-fold rotatability of the indexable inserts (D) and stator blades
- Low maintenance costs thanks to short downtime for replacing the cutters, long maintenance intervals and automatic central lubrication system

### High throughput

- Extremely high uptime
- Very large rotor diameter (1,100mm) – hence larger screen surface
- Frequency inverter for infinite speed adjustment

### Simple operation

- SRC<sup>1)</sup> panel with integrated 5.6" touch screen and high resolution colour display (simple menu navigation)

### Robust, straight-forward design

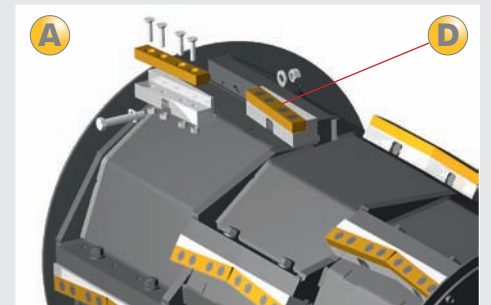
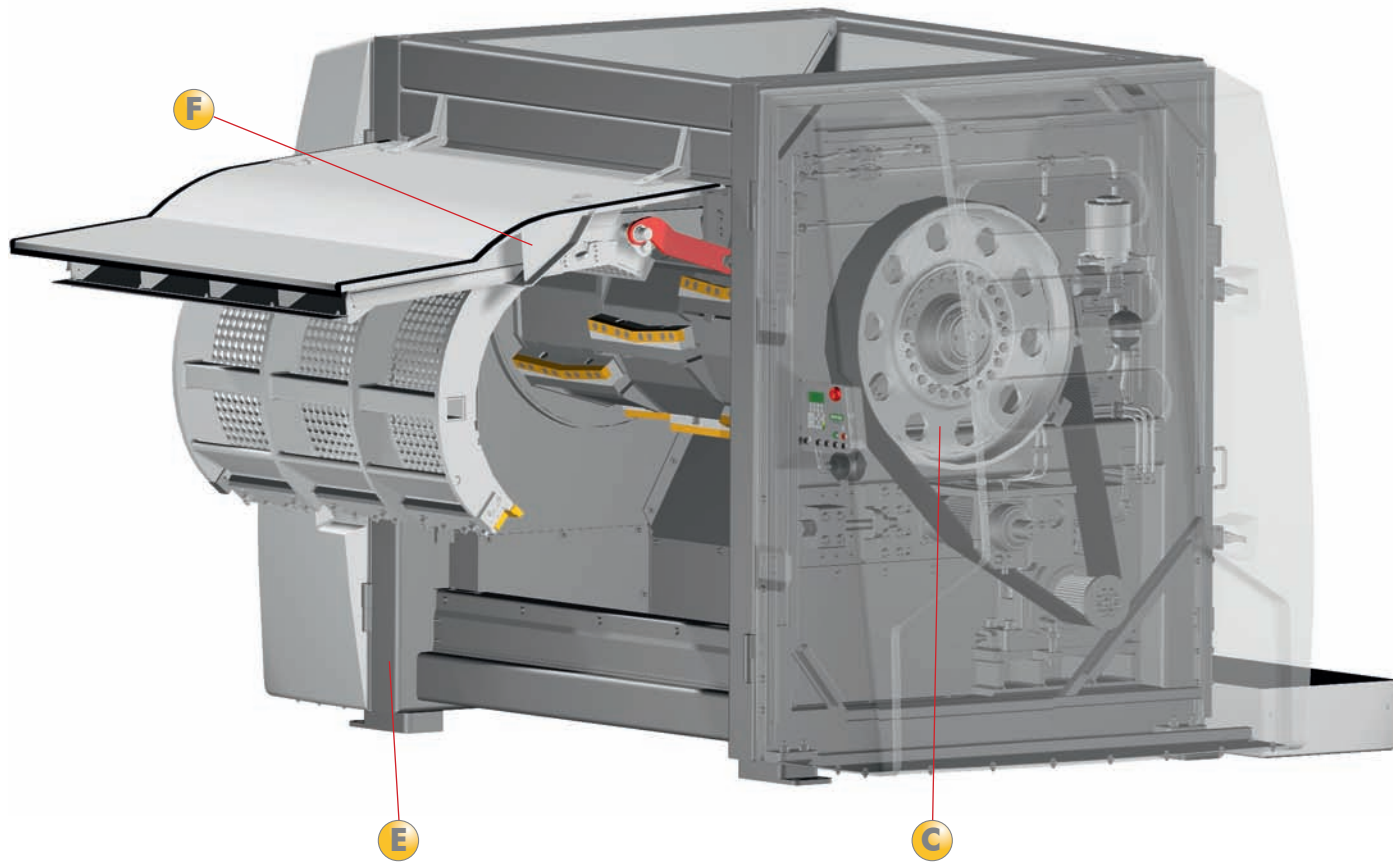
- Steel frame structure (E) made from warp-resistant and solid special section tubes for heavy duty applications and low-vibration running
- Frame structure makes compact design possible – small footprint
- All machine components are easily accessible via maintenance gates; no tools needed to open them
- Integrated noise reduction system (F) to reduce noise emissions by 5-10 dBA

### Options

- Ventilation system to protect the components from dust and contamination
- Discharge belt for swift and safe discharge of material; thanks to the belt, the machine can be set up directly on the floor; no additional steel structures or frames required
- Attachable hopper
- SRC(E)<sup>2)</sup> panel with 15" touch screen for even more ease of operation
- „UNTHA carefree package“

1) Safety remote control

2) Safety remote control (expert)



## A SELECTION OF IMPLEMENTED POST-SHREDDING PROJECTS



Application: Household waste  
Solution: TR3200  
Location: Ireland



Application: Industrial and commercial waste  
Solution: TR3200  
Location: Great Britain



Application: Industrial and commercial waste  
Solution: TR2500  
Location: Austria



Application: Household waste  
Solution: TR2500  
Location: Austria

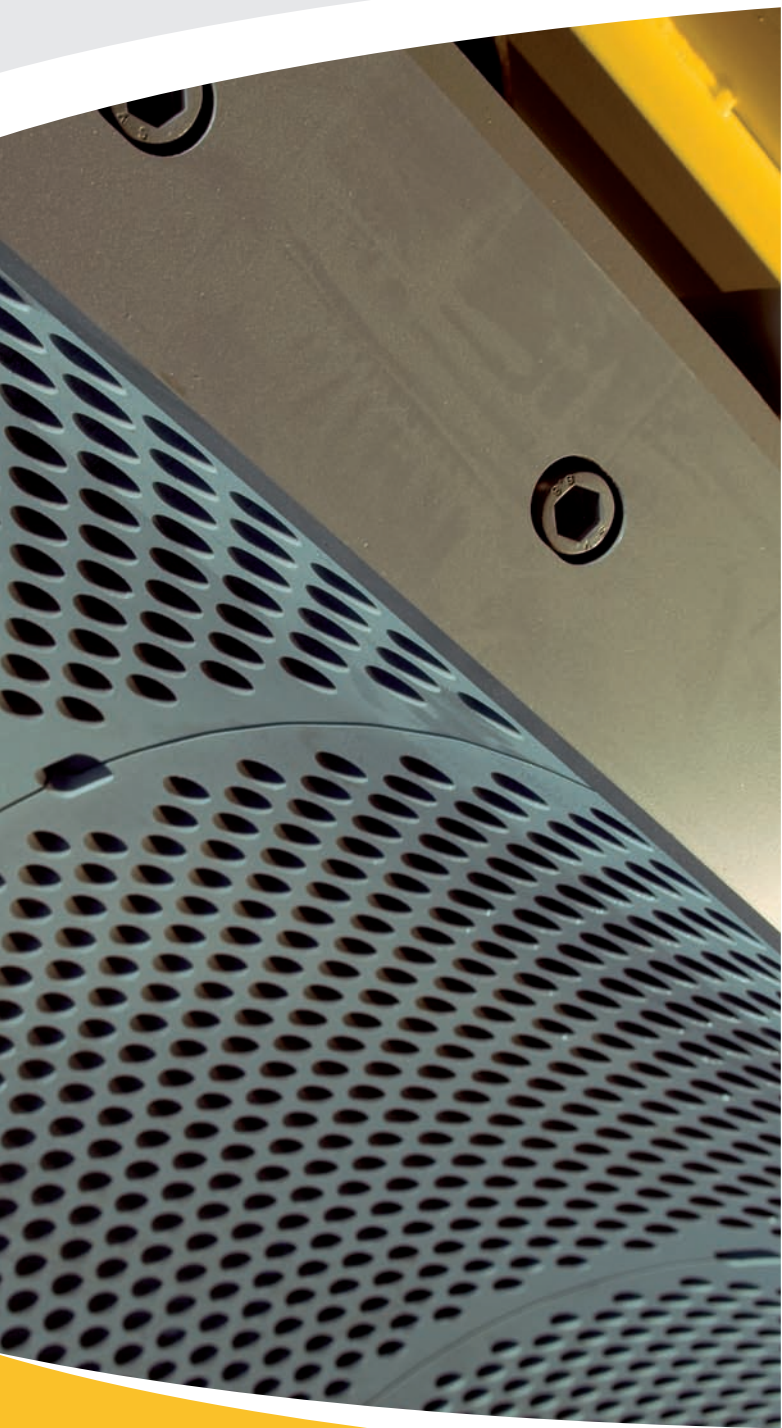


Application: Industrial and commercial waste  
Solution: TR3200  
Location: Ireland



Application: Household and commercial waste  
Solution: TR2000  
Location: Great Britain





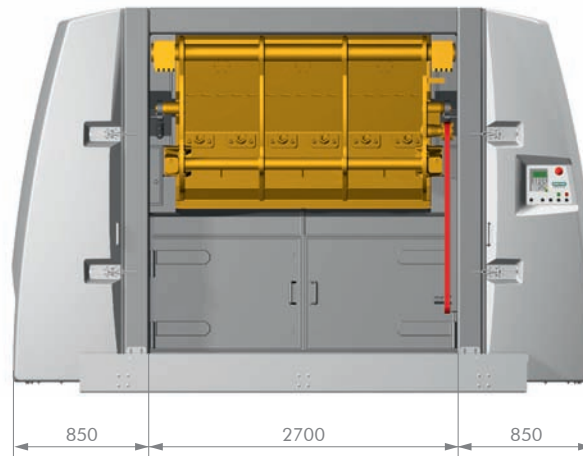
# TR SERIES

Single-shaft shredding system

TECHNICAL DATA		TR2000	TR2500	TR3200
Driving power	kW	200	250	315
Hydraulic power	kW	3,5	3,5	3,5
Ø Rotor	mm	1.100	1.100	1.100
Rotor speed	rpm	140	140	175
Weight	kg	ca. 20.000	ca. 22.000	ca. 24.000
Throughput*	kg/h	up to 9.000	up to 12.000	up to 15.000

\*) depending on: quality of material and diameter of perforated screen

All dimensions in mm.





shredding technology

The reliable brand!



UNTHA shredding technology

Moldanstraße 141

A-5431 Kuchl / Salzburg, Austria

Tel +43 6244 7016 0, Fax +43 6244 7016 1

info@untha.com

[www.untha.com](http://www.untha.com)

Authorised partner of UNTHA