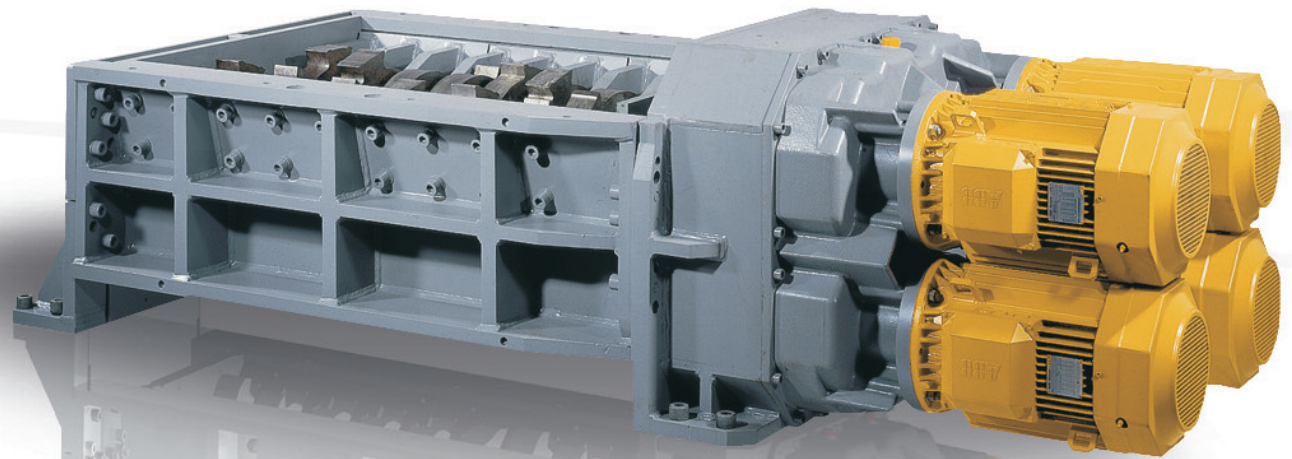


UNTHA

shredding technology

The reliable brand!



S
SERIES



S120

POWERFUL AND EFFICIENT SHREDDING FOR HEAVY-DUTY APPLICATIONS

The S120 series is ideal for pre-shredding metal, electronic scrap, tyres or paper. The input material is pre-processed and size reduced by the powerful four-motor, two-shaft cutting system.

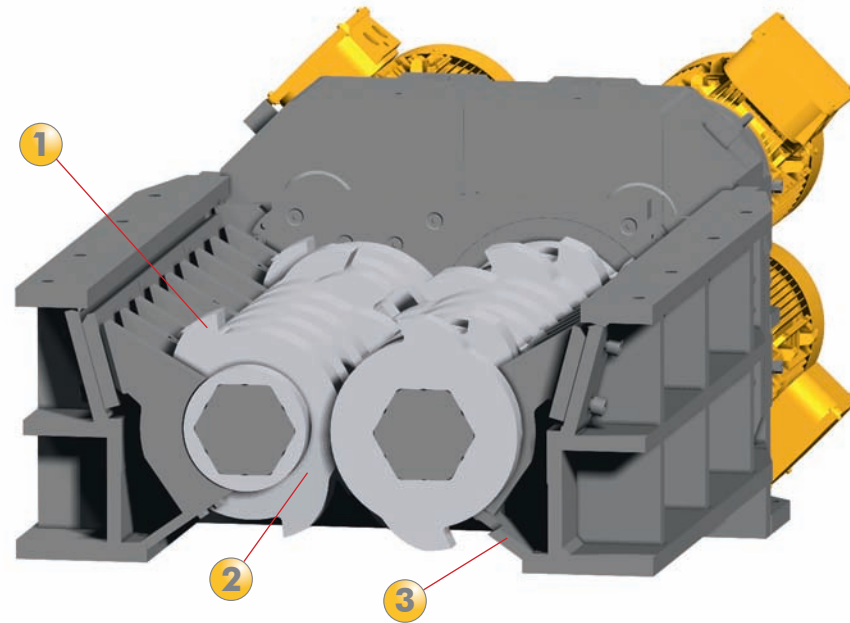
If a smaller homogeneous particle size is required, then an UNTHA four-shaft shredder is usually installed downstream.

For more information please refer to the "Individual Shredding Solutions" brochure



FUNCTION AND DESIGN

The material to be shredded is drawn into the cutting chamber by the teeth (1) on the cutting discs (2). The cutters are arranged in an overlapping pattern therefore ensuring a crosscut of the material. On the bottom, the material is removed by stripping bars (3) and discharged downwards.



TYPICAL APPLICATIONS

- Aluminum casting and extrusions
- Metal drums.....
- Electronic scrap
- Electrical equipment
- Appliances
- Tyres
- Paper waste
- Sheets of paper
- etc.

QUALITY FEATURES

High availability

- Special seals (A) and bulkhead walls (B) prevent dirt and dust from damaging gears and bearings
- Integrated wear plates protect the cutting chamber
- Dynamic cutting disc pre-loading system (C) for easy change-out
- Active shaft ventilation (D) for increased cutter life
- Reliable spur gear drive (E) for exceptionally long service life
- Electronic overload protection
- Four motor drive with a low mass moment of inertia (F) (4 small instead of 2 large motors)

Flexible drive concept

- Depending on power availability and customer requirements, there are two drive options: electro-mechanical or electro-hydraulic.

Intelligent cutting system

- The cutting force distribution system ensures that full power can be applied where it is most needed (e.g. shredding thick-walled metal parts). The cutting power applied on a single cutting tooth can be increased by up to 70% for a short period of time. This results in a noticeably higher throughput.

Low operating costs

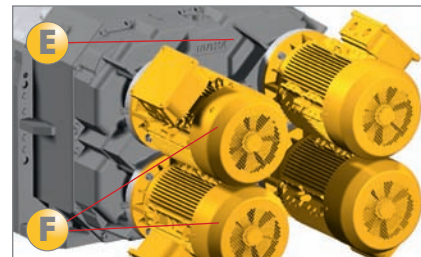
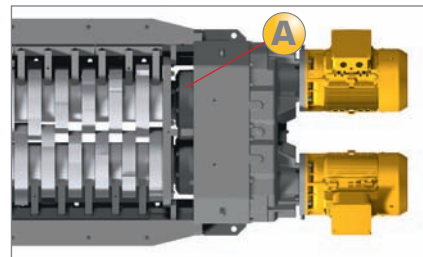
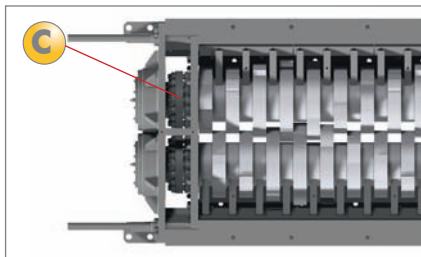
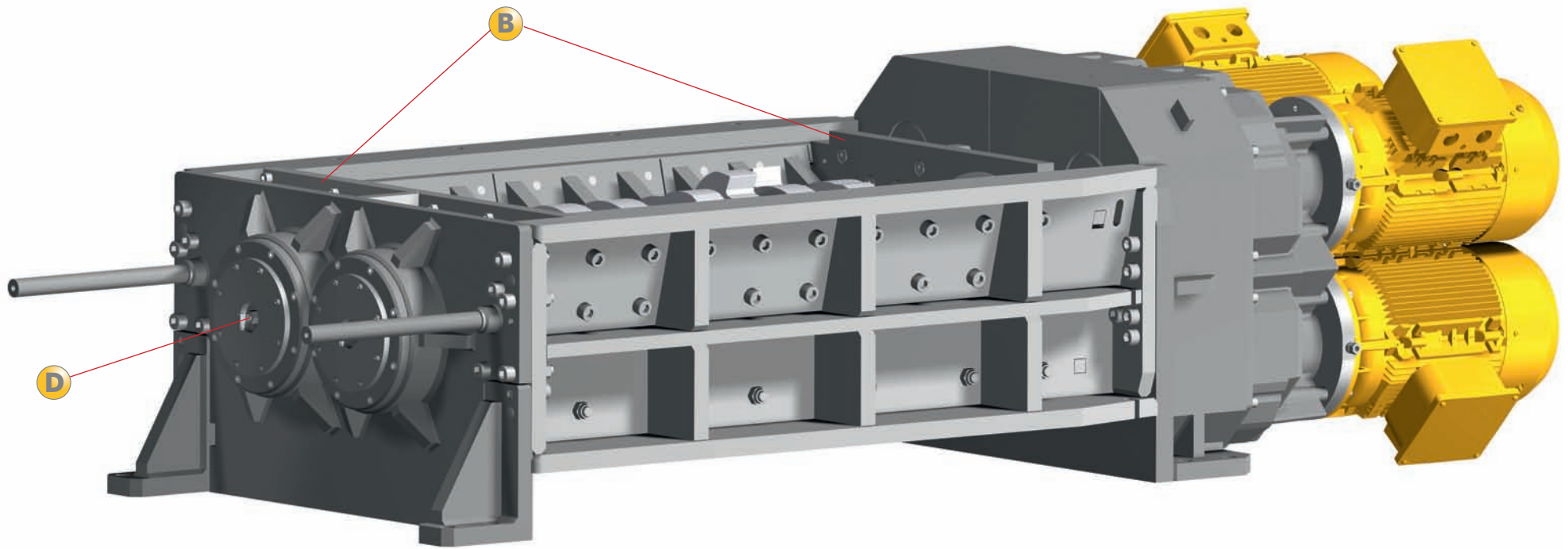
- Cutting system can be reconditioned multiple times resulting in long service life

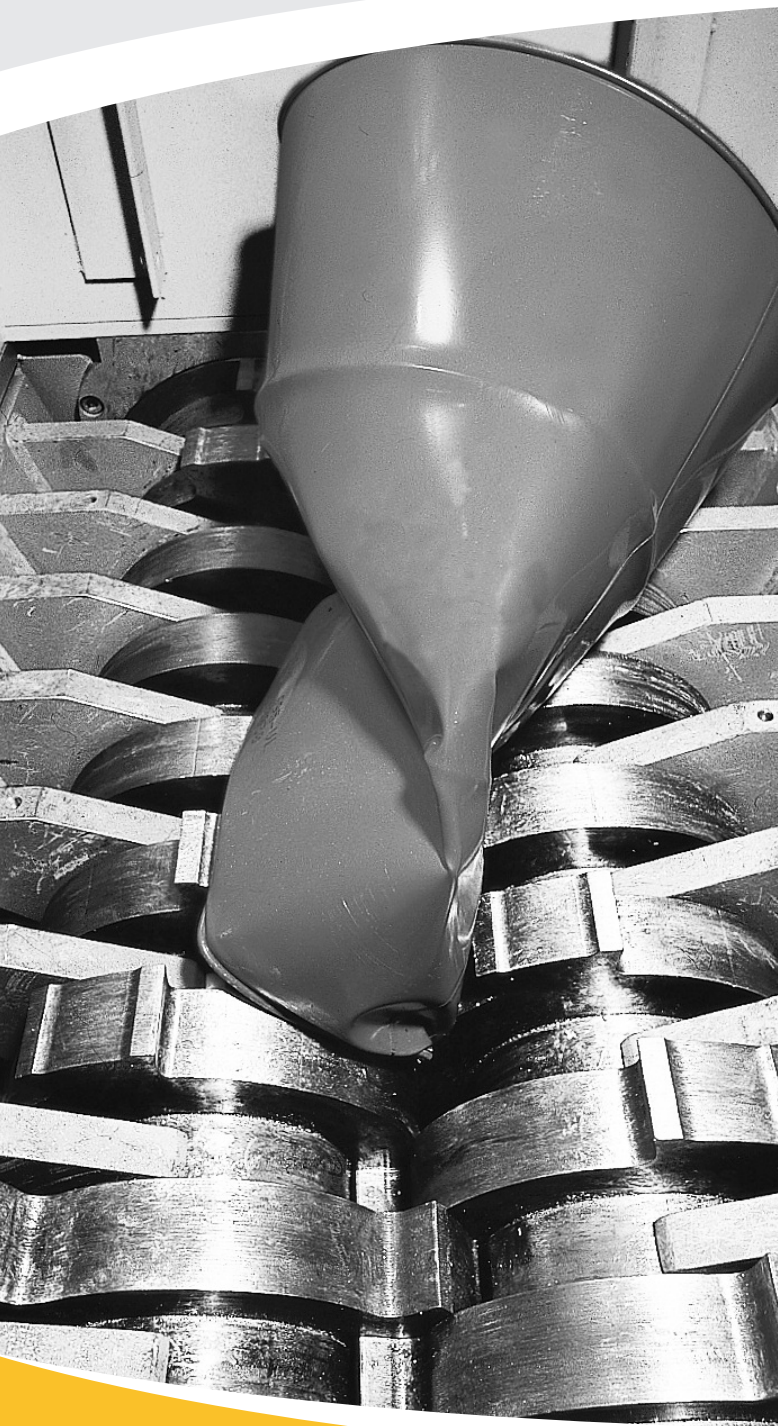
Low emissions

- Low noise and dust generation

Options

- Variable frequency drive (VFD) speed control for adjustable throughput and reduction of start-up peaks
- Automatic central lubrication system
- "UNTHA Carefree package"





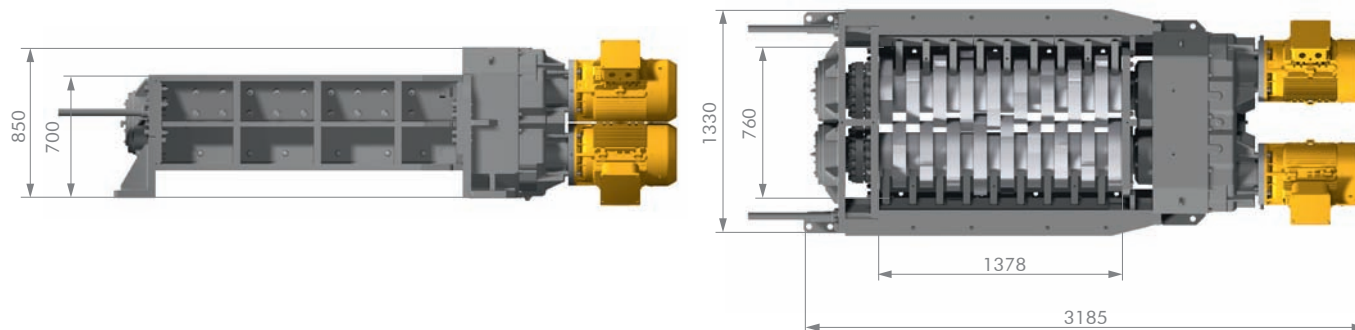
S SERIES

Two-shaft shredding system

TECHNICAL DATA		S120
Electro-mechanic drive power	kW	88
Electro-hydraulic drive power	kW	110 / 160
Cutting chamber dimension	mm	1,378 x 760
Indexable inserts Ø	mm	464
Axial distance	mm	360
Max. torque	Nm	2 x 70,000
Width of cutting discs	mm	38 / 76
Rotational speed	rpm	10 - 25*
Weight	kg	8,000

All dimensions in mm.

*) Speed range with electro-hydraulic drive



40 years of expertise
More than 8,000 shredders in daily operation!



shredding technology

The reliable brand!



UNTHA shredding technology

Moldanstraße 141

A-5431 Kuchl / Salzburg, Austria

Tel +43 6244 7016 0, Fax +43 6244 7016 1

info@untha.com

www.untha.com

Authorised partner of UNTHA